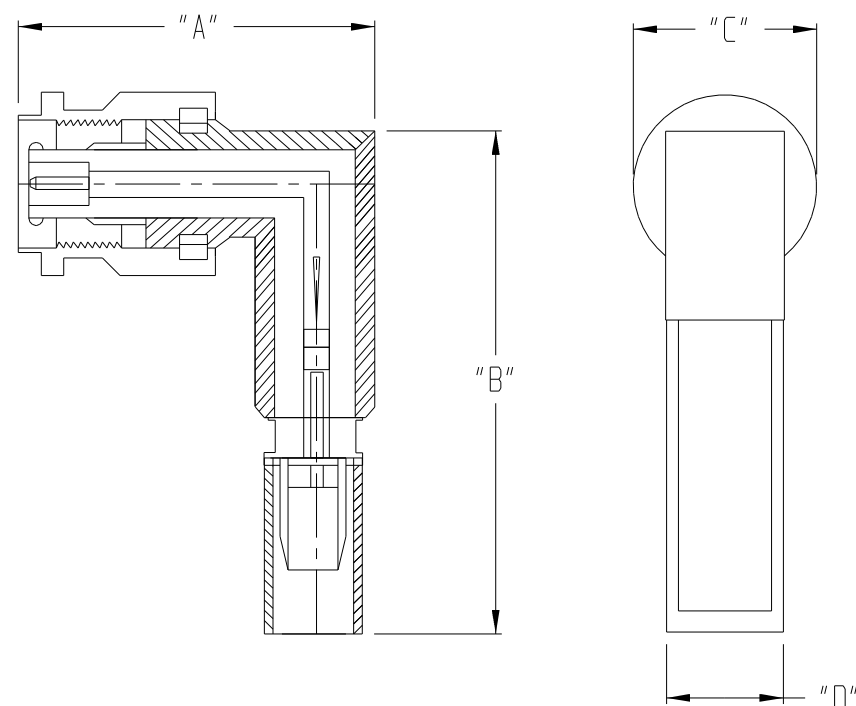


THIS DOCUMENT AND THE INFORMATION IT CONTAINS IS THE PROPERTY OF EMTEQ INC. AND MAY NOT BE USED IN ANY WAY WITHOUT THE EXPRESS WRITTEN CONSENT OF EMTEQ INC.

REV	REVISION	DATE	ER #	INTL
E	CLARIFY CALLOUT OF GOLD CRIMP TUBE	12/13/2007	7849	VML
F	CHANGE ASSEMBLY INSTRUCTIONS FOR TMR295 & TMR340	6/26/2008	8570	LLP
G	ADDED CONNECTOR TMR410-2	9/18/2008	8897	LLP
H	CHANGE P/N FOR ITEM 5, HEATSHRINK	10/27/2009	10252	VML
H01	DEL 0.625 DIM; CONFLICTS W/"C" DIM	04/27/2010	10801	ASL

DIMENSIONAL INFORMATION

PART NO.	"A"	"B"	"C"	"D"	ASS'Y INSTRUCTIONS
TMR130-2	1.04 (26.4)	1.75 (44.5)	0.38 (9.7)	0.22 (5.6)	ES-105-19
TMR165-2	1.04 (26.4)	1.75 (44.5)	0.38 (9.7)	0.25 (6.4)	ES-105-19
TMR195-2	1.04 (26.4)	1.75 (44.5)	0.38 (9.7)	0.25 (6.4)	ES-105-19
TMR205-2	1.04 (26.4)	1.75 (44.5)	0.38 (9.7)	0.30 (7.6)	ES-105-19
TMR225-2	1.04 (26.4)	1.75 (44.5)	0.38 (9.7)	0.30 (7.6)	ES-105-19
TMR240-2	1.04 (26.4)	1.75 (44.5)	0.38 (9.7)	0.30 (7.6)	ES-105-19
TMR295-2	1.03 (26.2)	2.12 (53.8)	0.63 (16.0)	0.39 (9.9)	ES-105-7
TMR340-2	1.03 (26.2)	2.12 (53.8)	0.63 (16.0)	0.39 (9.9)	ES-105-7
TMR410-2	1.03 (26.2)	2.12 (53.8)	0.63 (16.0)	0.39 (9.9)	ES-105-7



SPECIFICATIONS:

1) ELECTRICAL

IMPEDANCE: 50 OHMS
 FREQUENCY RANGE: 0 TO 11 GHZ
 VOLTAGE RATING: 1000 V RMS
 DIELECTRIC WITHSTANDING VOLTAGE: 2,500 V RMS
 INSULATION RESISTANCE: 5000 MEGOHMS MIN

2) MECHANICAL

TERMINATION STYLE: INNER CONTACT - CRIMP
 OUTER CONTACT - CRIMP
 TEMPERATURE RANGE: -65° C TO + 165° C
 FINISHES:
 BODY FINISH: PROPRIETARY NICKEL
 CONTACT FINISH: GOLD PLATED PER MIL-G-45204

DESIGNED IN ACCORDANCE WITH MIL-C-39012 STANDARDS.

										06-672-4	CONTACT	5
										06-296-8		
										06-296-12		
										06-296-4	DURABLE HEATSHRINK	4
										ATUM 1/2 BLK		
										29-174-2		
										29-100-68		
										29-141-2	CRIMP TUBE	3
										29-140-2		
										29-140-4		
										29-138-2		
										29-137-2		
										29-100-4/29-100-74		
										29-100-63	BODY	2
										29-100-12		
										09-219-1		
										09-146-1		
										09-146-2	INSULATOR (REAR)	1
										09-146-3		
										15-469-5		
										15-469-10		
										15-469-4		
										15-469-3		
										15-469-17		
TMR	410-2	340-2	295-2	240-2	225-2	205-2	195-2	165-2	130-2	PART NUMBER	DESCRIPTION	ITEM

PARTS LIST

MATERIAL	SCALE	SIZE B	DATE	5349 SOUTH EMMER DRIVE NEW BERLIN, WI 53151 (888) 679-6170	
FINISH	TOLERANCES UNLESS NOTED .XX = ± .03 .XXX = ± .010 ANGLES ± 1°		09/05/2002	DRAWN L. LUGO DESIGNED	
	CAD GENERATED AND MAINTAINED DRAWING -- DO NOT SCALE		04/27/2010	CHECKED <i>[Signature]</i> APPROVED T. FORST	
NOTICE -- ALL CHANGES TO THIS DOCUMENT ARE CONTROLLED BY EMTEQ INC / UNLESS OTHERWISE STATED, ALL REPRODUCTIONS OF THIS DOCUMENT ARE NOT CONTROLLED BY EMTEQ INC			CAGE CODE	DWG #	PLUG, TNC, 90° CONNECTOR TMRXXX-2 SHT 1 OF 1 FILE: TMRXXX-2-F.dpt