



SECUREONE™ KOV-74 MILS TACTICAL ENCRYPTOR

PROTECT MULTI-CLASSIFIED DATA

Four-channel MILS encryption

Simultaneously protect top secret through unclassified data with our high-assurance, four-channel programmable SecureOne™ KOV-74 MILS tactical encryptor.

Cryptographic modernization (CryptoMod)-compliant, the KOV-74 provides encryption/decryption, bypass, integrity, authentication, remote cryptographic initialization and over-the-network key management.

With 32 virtual channels across four physically independent red channels, you can process multiple independent channels of high-rate data at rest and data in transit. The 32 virtual red channels connect to three configurable physical black channels. Each physical

red channel is configurable from unclassified up to and including top secret. A bonus fifth channel provides the same throughput with unclassified encryption.

The KOV-74 uses our NSA Type 1-certified MILS JANUS cryptographic engine. We developed JANUS in compliance with the NSA's 3-9 CryptoMod initiatives. Compliance requires assured security robustness, crypto-algorithm support, interoperability, releasability, programmability and cryptographic key management.

Because the KOV-74 is highly ruggedized and miniaturized for tactical airborne environments, you'll get support for a wide variety of installation environments on land, sea or in the air. Its open architecture and standard interfaces provide flexibility, so you can install it and interface with your existing equipment.

KEY FEATURES & BENEFITS

- Industry-standard 10/100BASE-T ethernet interfaces support low-latency UDP/IP
- Small, modular form factor allows flexible installation, upgradability and reduced life-cycle cost
- Programmable algorithm application software
- 600 Mbit/sec aggregate encryption/decryption throughput (200 Mbit/sec per channel)
- MILS unclassified up through top secret code word processing (simultaneous)
- Supports system-high configurations as needed
- Five independent processing channels (MILS) with key agility providing 32 virtual channels

ADDITIONAL KEY FEATURES AND BENEFITS

- Independent C2 channel
- Remote management – initialization, configuration, key management and zeroization
- Designed for airborne tactical environment
- Configurable ethernet interfaces
- Encrypts and decrypts both transmitted and recorded data
- Technology readiness level (TRL) and manufacturing readiness level (MRL) 9

KOV-74A FEATURE ENHANCEMENTS

- FEYES exportability
- Advanced Cryptographic Capabilities (ACC) Algorithms
- AES Key Wrap Algorithm, WATARI Algorithm and F-35 P5 Algorithms
- Bypass Policy Engine, Heartbeat Zeroization, Autosense Key Fill

KEY MANAGEMENT

Compatible with the Electronic Key Management System (EKMS), the KOV-74 provides DS-101 and benign fill key management capability per cryptographic modernization requirements. JANUS, NSA-certified December 2007, enables keys to be loaded in either red or black formats, stored black and selectively zeroized.

The KOV-74 provides Over-the-Network Keying (OTNK) and over-the-network zeroization capability. Reprogrammability supports future enhancements such as key management infrastructure and additional algorithms.

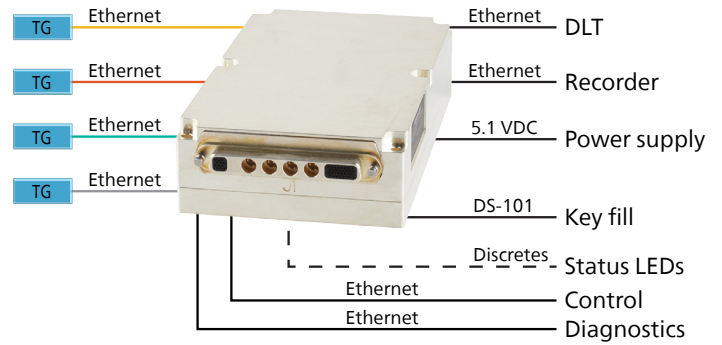
PHYSICAL CHARACTERISTICS

| | |
|---------------|------------------------------|
| Dimensions | 6.0" x 3.5" x 1.4" |
| Weight | < 1.8 lbs |
| Power | 14 W typical @ 5 VDC |
| Cooling | Convection/conduction |
| Environmental | MIL-STD-810F MIL-STD-461F |

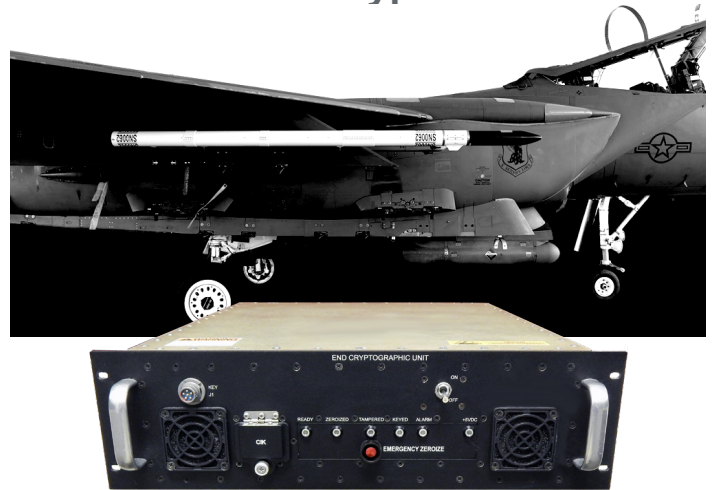
SYSTEM INTERFACES

- Four independent red 10/100BASE-T ethernet interfaces (top secret – unclassified data)
- Three independent black 10/100BASE-T ethernet interfaces for cipher text
- One dedicated command/control/bypass 10/100BASE-T ethernet interface
- Over-the-network key, zeroization and management
- Multiple levels of zeroization to support data at rest
- DS-101 key fill (black/red/benign), Network key fill, Flexible DS-101/CIK remote capability
- Dual access control methods: CIK and Remote challenge/response

ECU IMPLEMENTATION



SECUREONE™ Encryption



Our SecureOne™ KOV-74 MILS network encryptor drawer is a 19-inch, rack-mounted drawer that features an embedded KOV-74 MILS encryptor.

The encryptor drawer provides encryption, decryption, limited bypass, integrity, authentication, remote cryptographic initialization and over-the-network key management.

Open architecture and standard interfaces give the encryptor drawer flexibility for installation and the ability to interface with your existing equipment.

SecureOne tactical encryptors are flexible, secure, versatile and enable multi-level security on the battlefield for a wide variety of platforms.

Specifications subject to change without notice.



COLLINS AEROSPACE

400 Collins Road NE
Cedar Rapids, Iowa 52498
800.321.2223 | +1.319.295.5100
fax: +1.319.378.1172
learnmore@collins.com
collinsaerospace.com