

TASE400 BLK II

ADVANCED DAY/NIGHT IMAGING

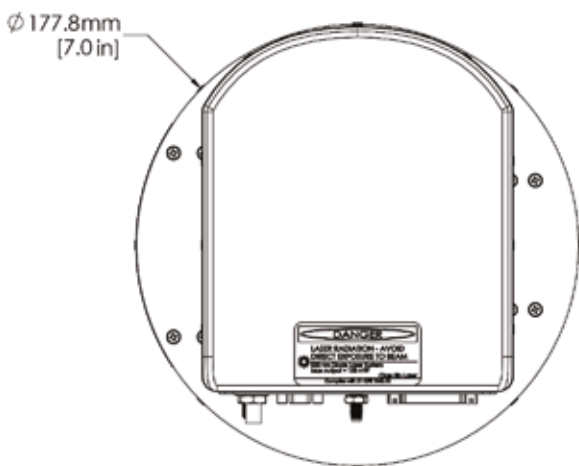
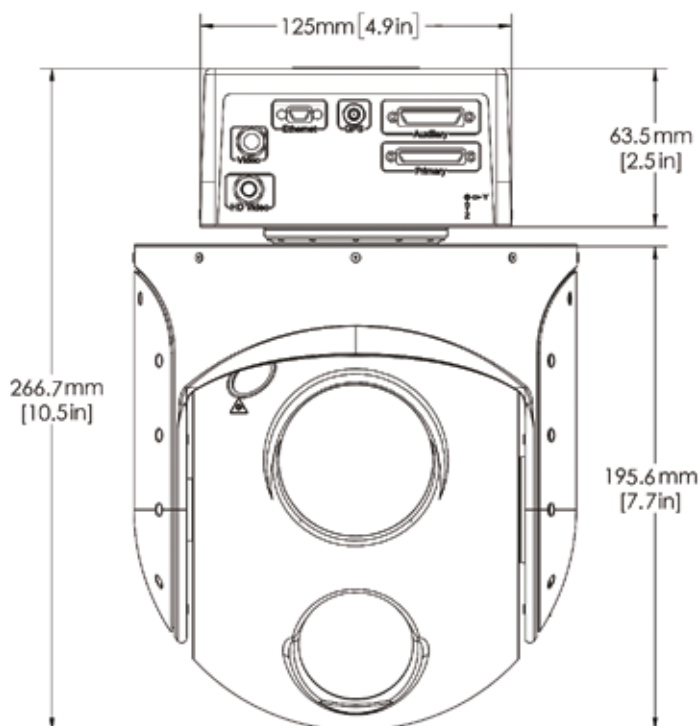
The Collins Aerospace TASE400 BLK II is our latest generation imaging system. It features a mid-wave infrared camera with continuous optical zoom down to 1.9° FOV, a continuous zoom HD daylight camera, industry-leading stability and advanced processing. This payload is designed to provide superior day and night surveillance imaging for manned and unmanned airborne applications.



KEY FEATURES AND BENEFITS

- High performance and low SWaP at 8.1 lbs./3.67 kg
- Continuous zoom HD EO and SD MWIR cameras
- Onboard GPS/INS – no external IMU needed for geo-pointing
- Common control and operator interface across TASE family of systems
- Environmentally sealed
- Onboard image processing capable of target tracking, scene steering and electronic image stabilization
- ViewPoint payload software controls TASE payloads – integrated moving map, real-time mosaicing, Path-Track and video recording
- Non-ITAR





PAYLOAD PERFORMANCE	Rotation limits: 360° continuous pan + 45° / -85° tilt Slew rate: 150°/sec Payload stabilization: 2 axis
MID-WAVE IR CAMERA	15x optical zoom MWIR: 3 to 5 μm Resolution: 640 x 512 HFOV: 29° - 1.9° continuous (SD) 2x, 4x digital
HD DAYLIGHT CAMERA	29x continuous optical zoom HFOV: 45° - 1.9° (720p) 2x, 4x digital Removable IR cut filter
CONTROL INTERFACE	RS-232, RS-422, RS-485, CAN, Ethernet
VIDEO OUT	NTSC, HD-SDI H.264, H.265 with embedded KLV metadata Adjustable bitrate
ELECTRICAL	VIN: 10 - 30 Volts Power: 35 W (average) 100 W (max)
MECHANICAL	Diameter: 7 in. (177.8 mm) Height: 10.5 in. (266.7 mm) Weight: 8.1 lbs. (3.67 kg)
ENVIRONMENTAL	MIL-STD-810G
LASER ILLUMINATOR	(Narrow beam) Class IIIb laser ¹ 830 nm (NVG band) 150 mW max

Specifications subject to change without notice.



COLLINS AEROSPACE

+1.541.387.2120

collinsaerospace.com/tase